



**FROMMM** | AIRPAD  
SYSTEMS

## AP150 Bubble on demand

- User-friendly
- Compact design
- Roll production or storage

# FROMM's compact bubble on demand system



## Benefits

- Compact and ergonomic design
- Easy to integrate on any packstation
- High reliability
- Reduces material handling

## Specifications

- Built-in or external blower
- Modular configuration
- Wide range of films, up to 800mm | 31.5"

### Characteristics

		STD	PRO
Item code	220 V	50.1092	50.1096
	110 V	50.1090	50.1094
Speed (m/min   ft/min)		8.0   26.2	8.0   26.2
Weight (kg   lbs)		8.8   19.4	8.8+12.0   19.4+26.5
Internal blower for standard inflation pressure		YES	NO
External compressor for high inflation pressure		NO	YES
Units per pallet		24	20
Optional winder		YES <sup>(1)</sup>	YES <sup>(2)</sup>
Optional stand		STD version	PRO version
Overhead hopper		YES	YES
Compact bin		YES	YES

<sup>(1)</sup> to be used with external control box (item code 50.2127)

<sup>(2)</sup> to be used with external control box (item code 50.2127) and an ethernet/RJ45 port splitter

AP 150 STD



AP 150 PRO



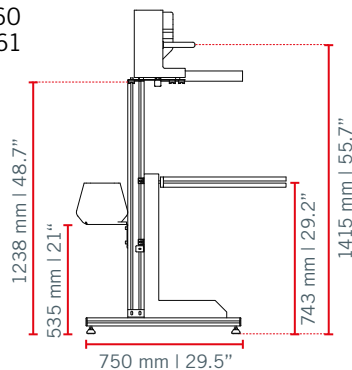


## AP150 accessories

### Roll production

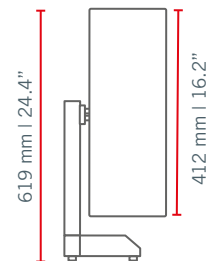
#### Compact stand

- Suitable for both STD and PRO versions
- Use as single stand
- Available with optional winder
- Item code:  
AP150 STD: 50.100160  
AP150 PRO: 50.100161



#### Standalone floor winder

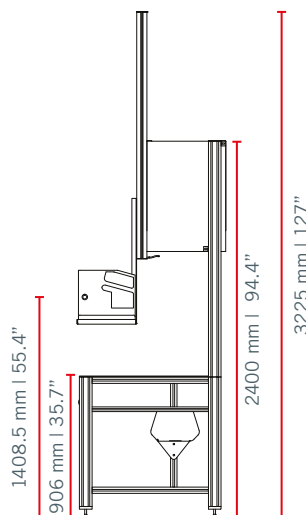
- Easy connection to the machine by aviation cable and control box
- Sensor for automatic stop of winder and machine at the end of the roll
- Item code:  
Winder 110V: 50.2122  
Winder 220V: 50.2120



### Storage station

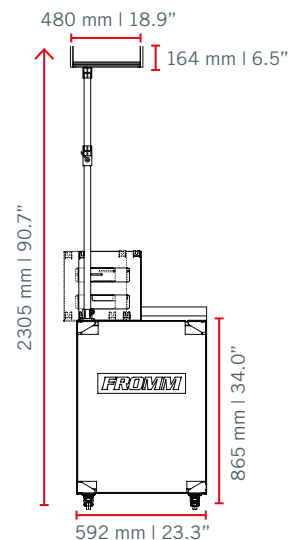
#### Top bin mini

- Versatile for single or multiple packstations
- Various mounting options
- Electric lift for easy film loading
- Adjustable height
- Automatic filling of the bin
- Custom design



#### Compact bin

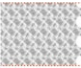

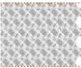

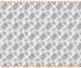


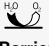
- Simple and compact solution for efficient integration
- Easy to assemble and install
- Universal solution for all packstations
- Ergonomic solution with easily adjustable pad holder
- Item code:  
AP150 STD: 50.100450  
AP150 PRO: 50.100451



# The right solution for your packaging needs

## High performance films

- Suitable for bottom and side wrapping
- Suitable for various shapes
- Ensures optimal protection

Product name	Roll width	Roll length	Perf.length	Sealing pattern	Film type	Item code
<b>BBL1</b> 400x300mm   16x12"	400mm   16"	450m   1476'	300mm   12"		 <b>Strong</b>	37.9351
<b>BBL1</b> 400x300mm   16/12"	400mm   16"	450m   1476'	300mm   12"		 <b>Barrier</b>	37.9357
<b>BBL1</b> 600x300mm   24x12"	600mm   24"	220m   722'	300mm   12"		 <b>Barrier</b>	37.9359
<b>BBL1</b> 800x300mm   32x12"	800mm   32"	110m   361'	300mm   12"		 <b>Barrier</b>	37.9360

## Tailor-made integration

- FROMM is present at all steps of your project, from identification of needs to installation and full maintenance of the line
- FROMM's end-of-the line expertise ensures reliable solutions, increased productivity and optimum ergonomics



**On-time  
delivery**



**Optimum working  
conditions**



**Profitable  
equipment**



**Flexible  
financing**

### FROMM HOLDING AG

Hinterbergstrasse 26  
CH-6330  
Steinhausen  
Switzerland  
Tel. +41 56 419 10 20  
Fax +41 56 419 10 30  
www.fromm-pack.com

For integration  
examples  
scan this code



## A 5-STEP PROCESS

- Needs identification**  
Audit questionnaire for accurate description of requirements
- Integration approach**  
2D/3D drawings within 2 weeks  
Quotation  
Lead time
- System manufacturing**
- Installation & commissioning**
- Maintenance & Support**